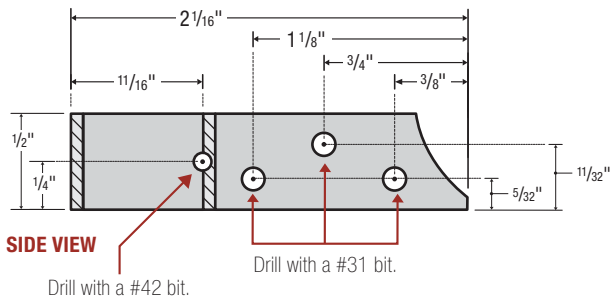
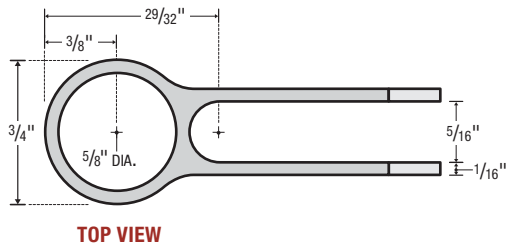
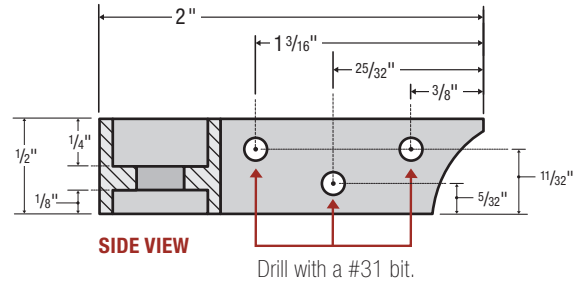
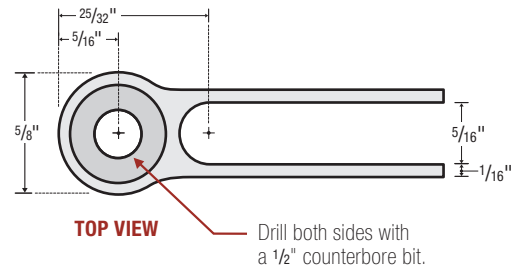


BRACKET A

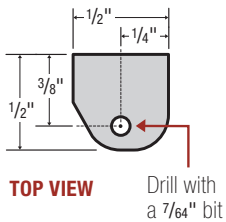


BRACKET B

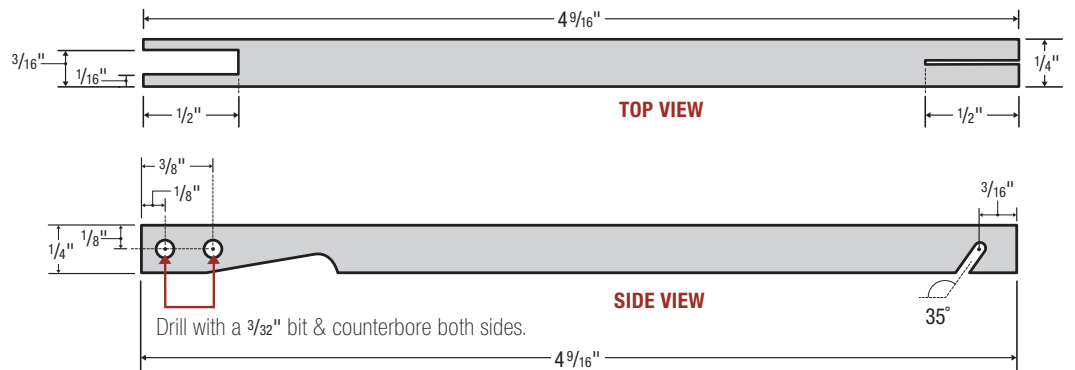


LINKAGE

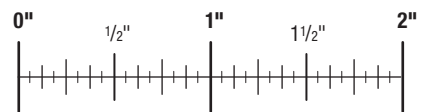
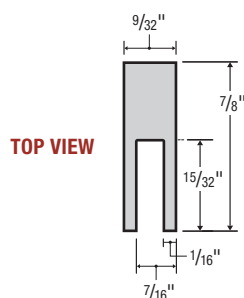
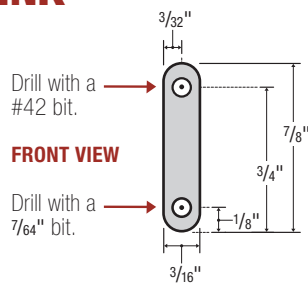
EAR



DRAWBAR



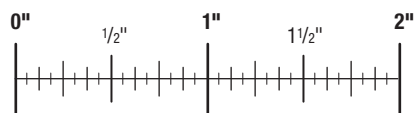
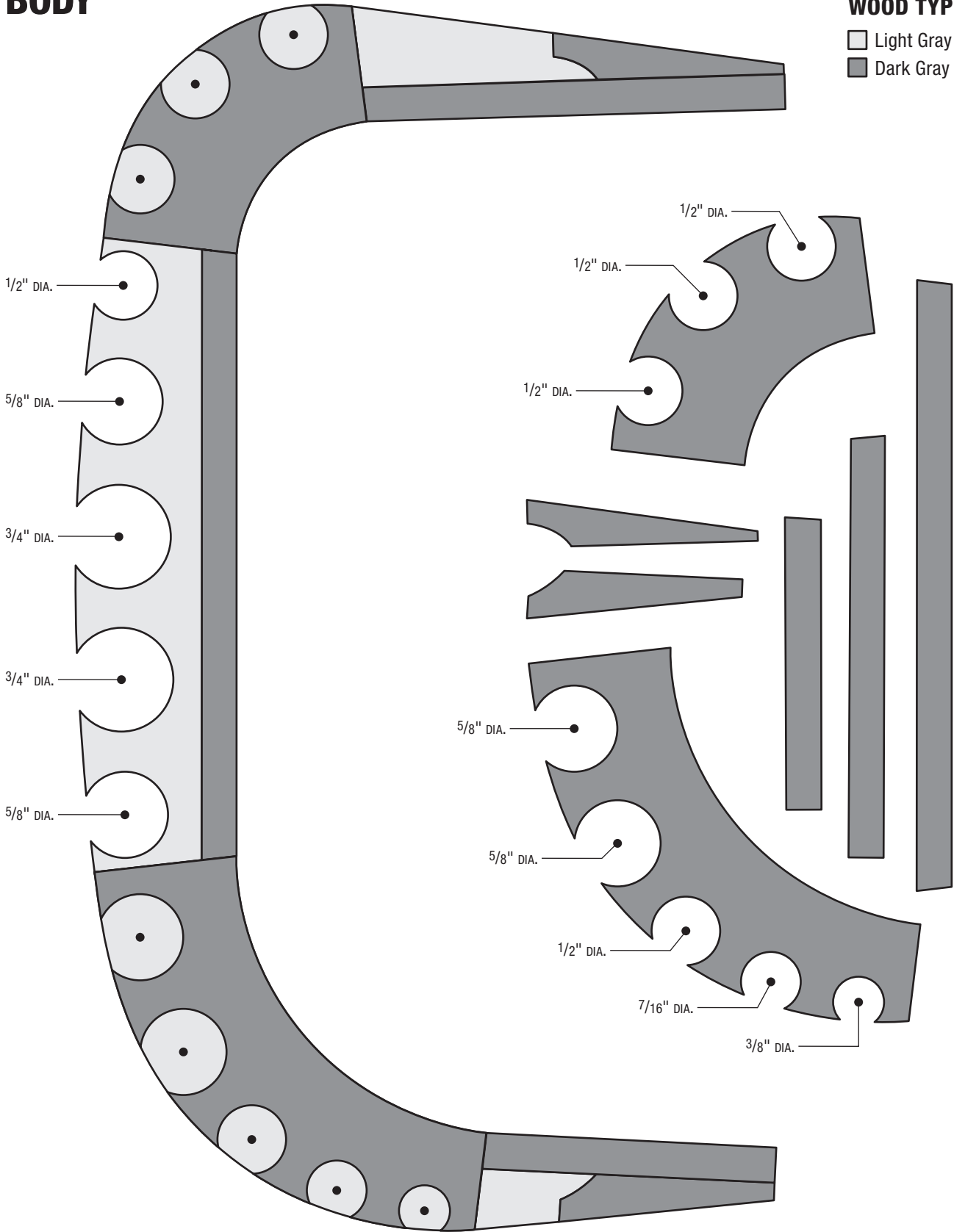
LINK



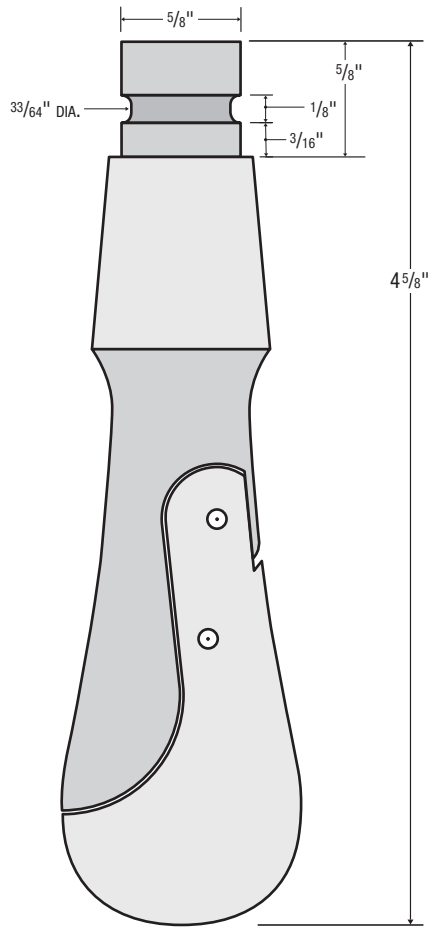
BODY

WOOD TYPES:

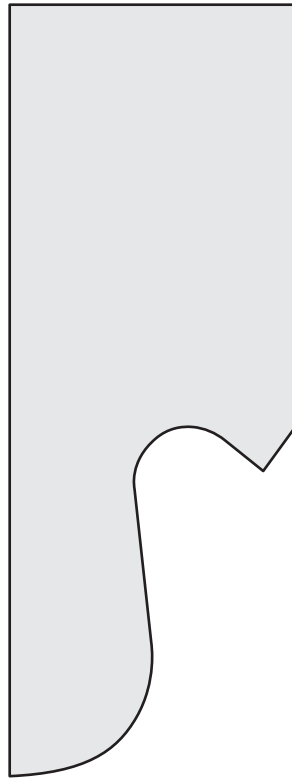
- Light Gray = *Hickory*
- Dark Gray = *Purpleheart*



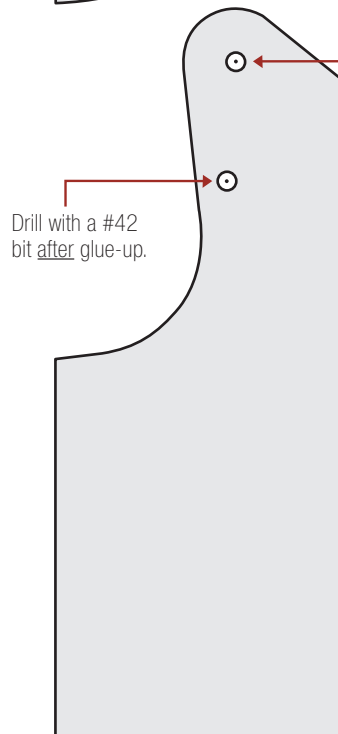
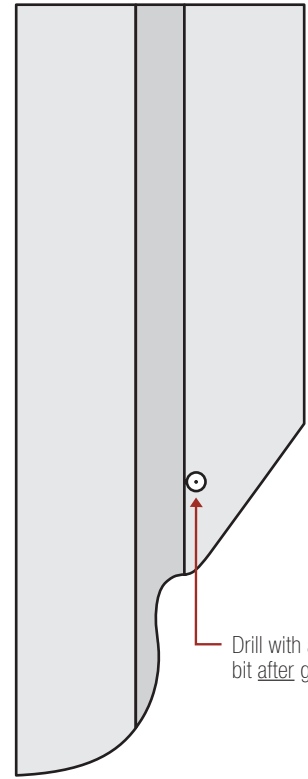
HANDLE



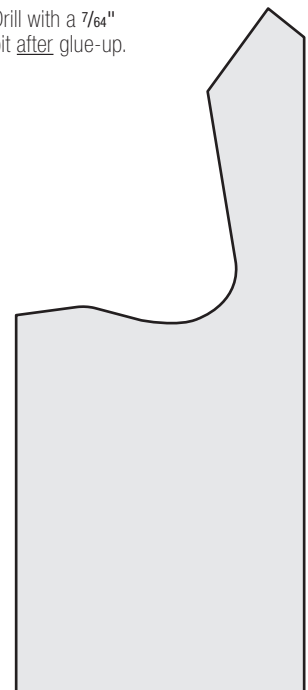
TOP



TOP (INSIDE)

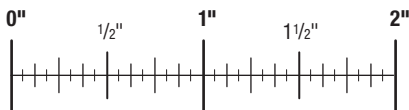


Drill with a 7/64" bit after glue-up.

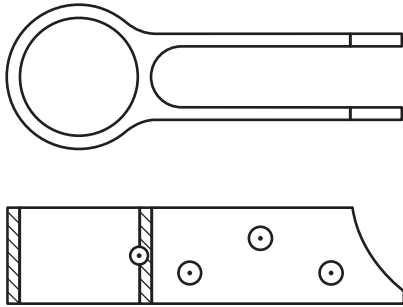


BOTTOM

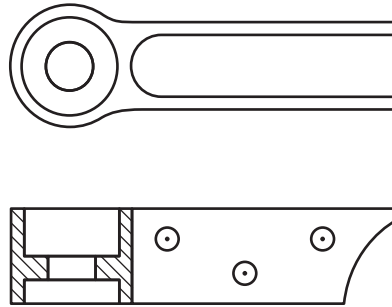
BOTTOM (INSIDE)



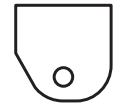
BRACKET A



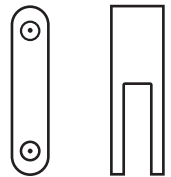
BRACKET B



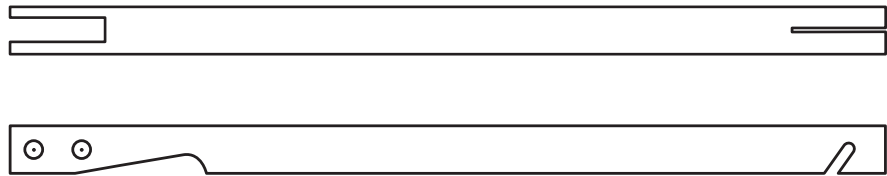
EAR



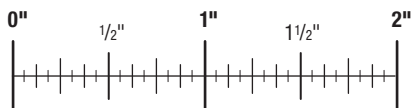
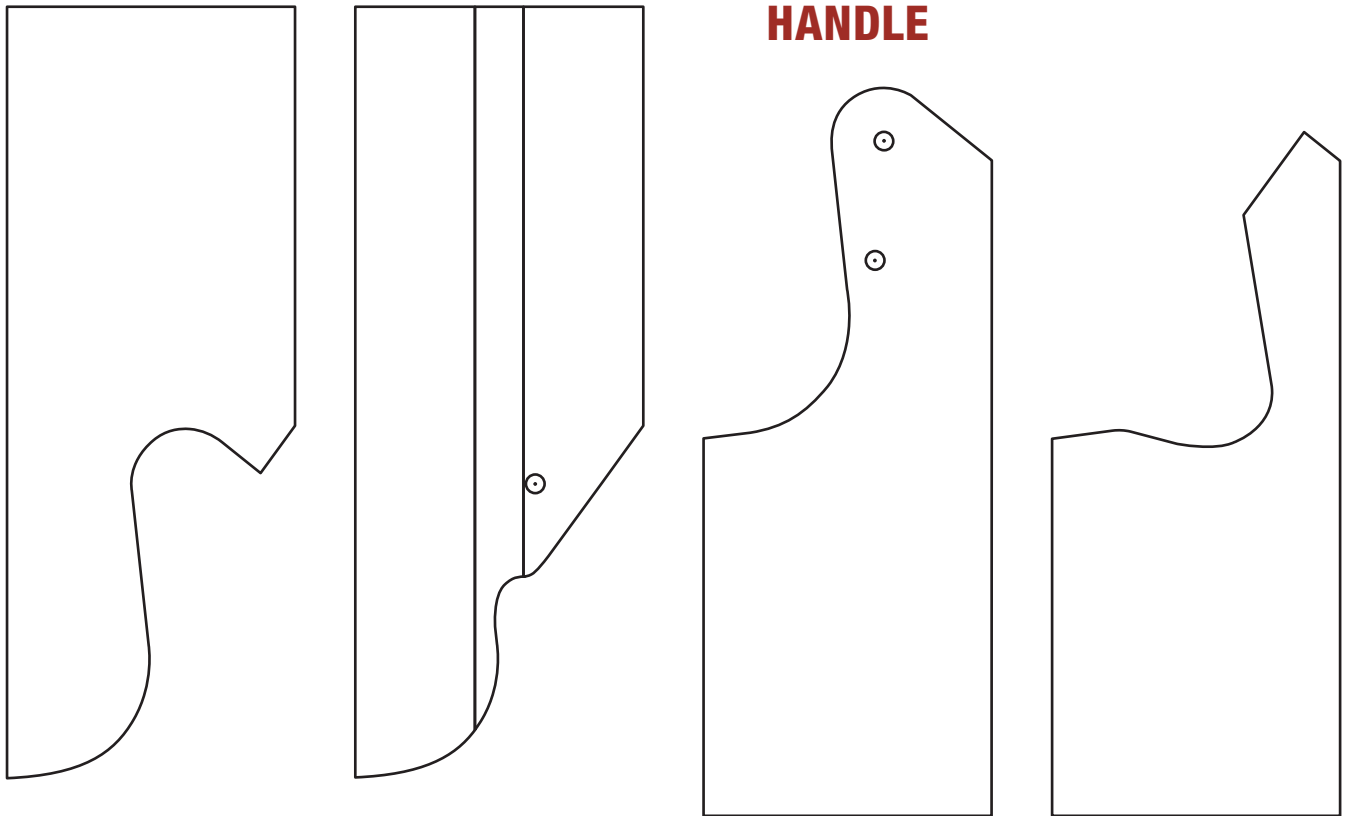
LINK



DRAWBAR



HANDLE



BODY

WOOD TYPES:

- Light Gray = *Hickory*
- Dark Gray = *Purpleheart*

