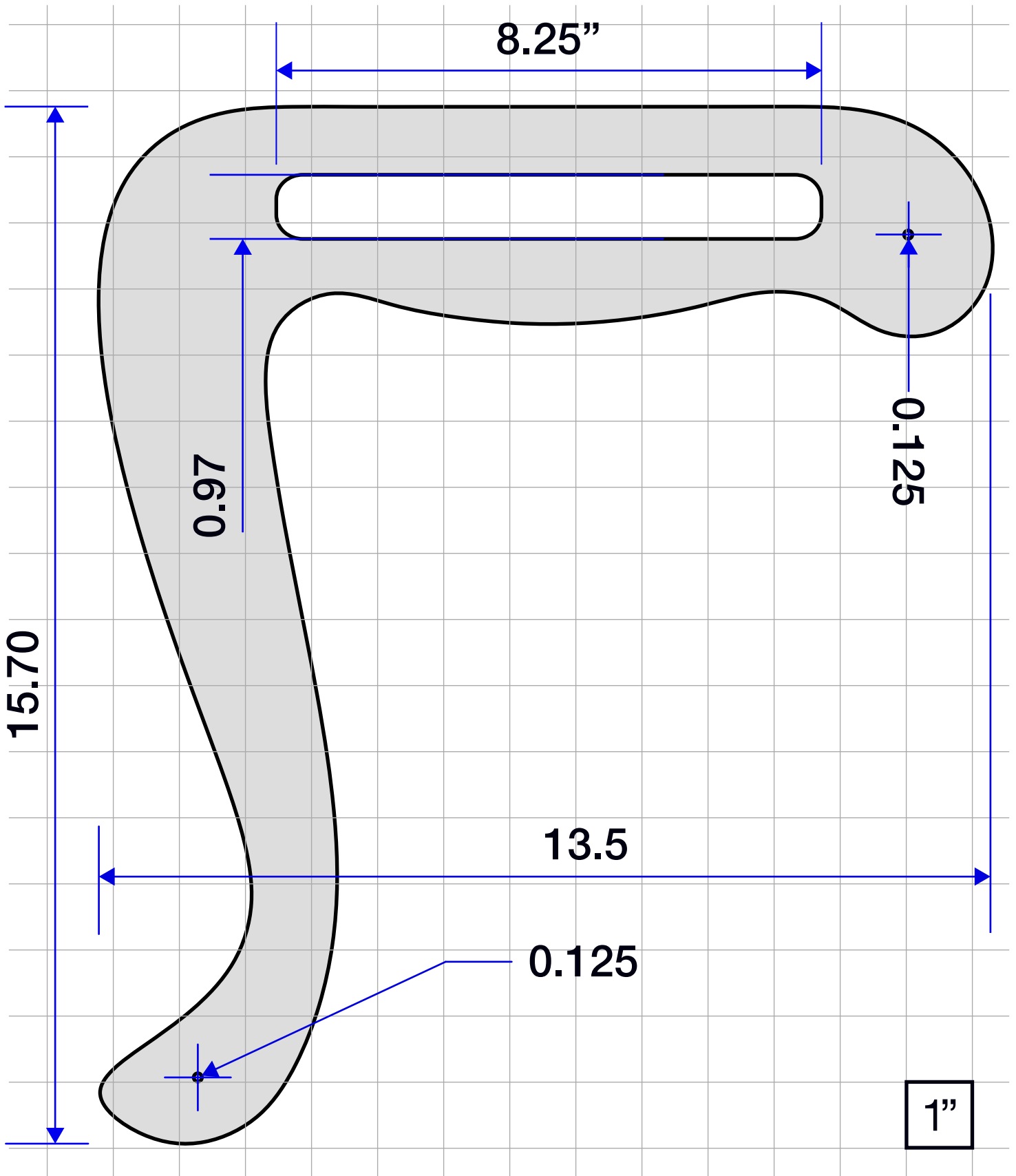


parametric bench

shaping pattern

Use 1/2" ply or mdf
3/8" bit & 5/8" Bushing

Tim Celeski 2019
woodworking.digital



parametric bench

cabriolet rib sample

Use 1/2" ply or mdf for layout

Tim Celeski 2019
woodworking.digital

