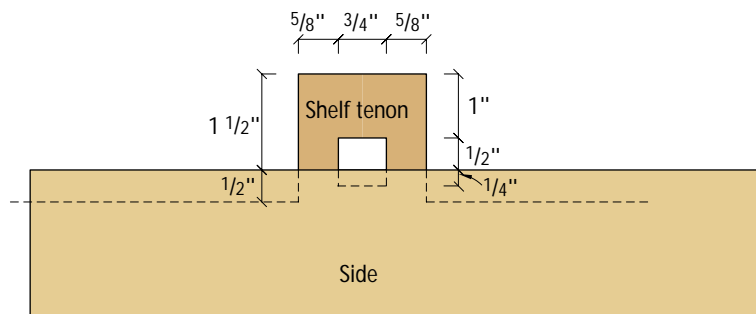


Detail of shelf joinery



KNOCKDOWN BOOKCASE

NO.	ITEM	DIMENSIONS (INCHES)			NOTES
		T	W	L	
□ 2	Sides	3/4	12	48*	
□ 1	Bottom shelf	3/4	11 1/8	24 1/2	2" TBE
□ 1	Top shelf	3/4	10	19 3/8*	2" TBE
□ 1	Third shelf	3/4	9 7/8	19*	
□ 1	Second shelf	3/4	8 11/16	17*	
□ 8	Tusks	3/4	3/4	3 1/2	

* Oversized for fitting; TBE = tenon, both ends