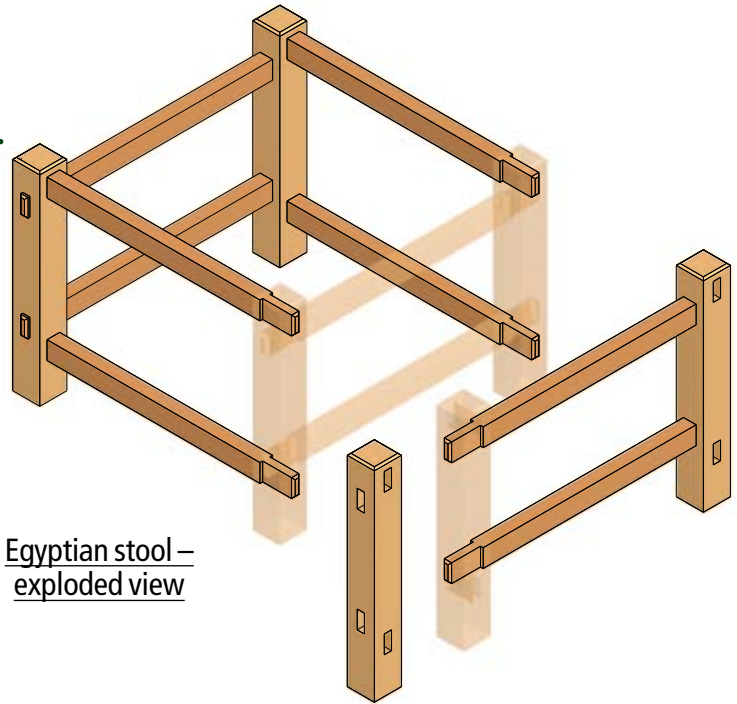


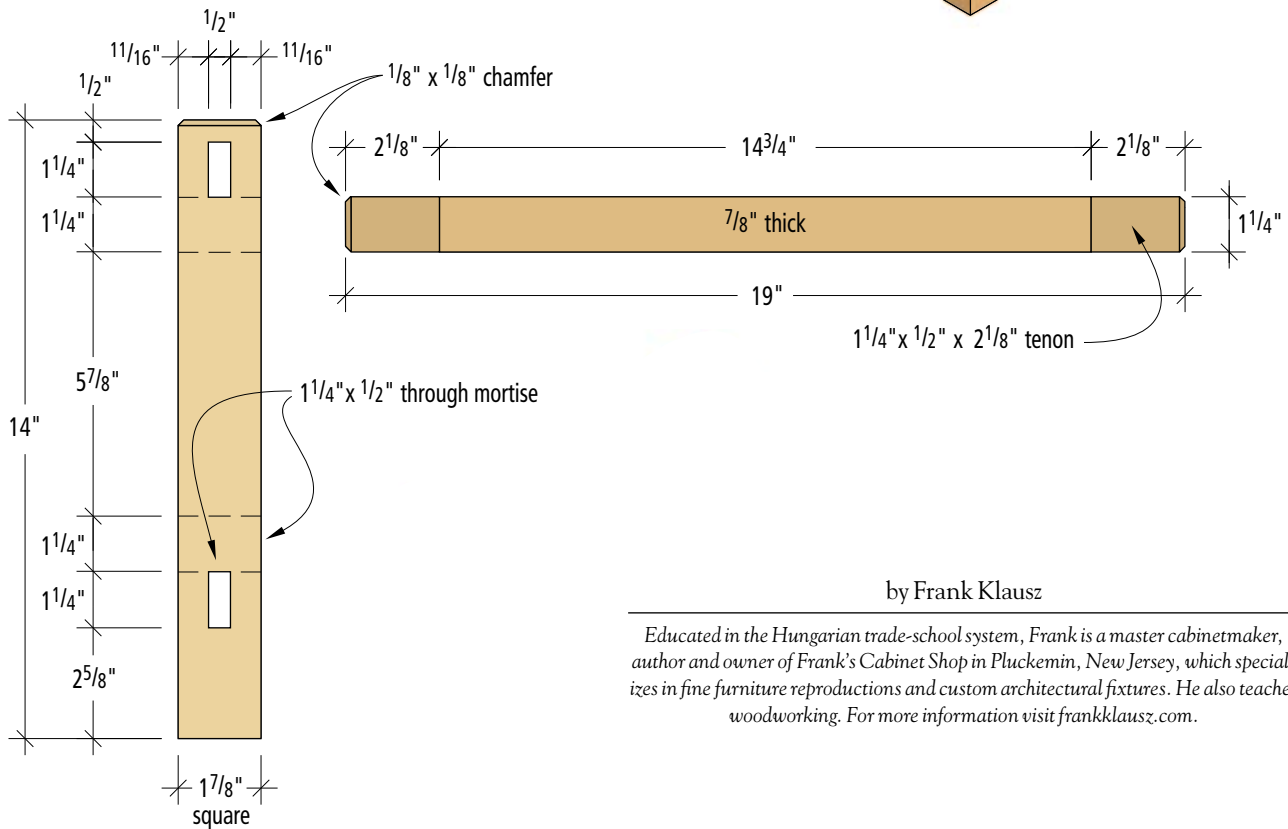
Master the Through Mortise & Tenon

EGYPTIAN STOOL

NO.	ITEM	DIMENSIONS (INCHES)			MATERIAL
		T	W	L	
4	Legs	1 ⁷ / ₈	1 ⁷ / ₈	14	Cherry
8	Rails	7 ⁷ / ₈	1 ¹ / ₄	19	Cherry



Egyptian stool –
exploded view



by Frank Klausz

Educated in the Hungarian trade-school system, Frank is a master cabinetmaker, author and owner of Frank's Cabinet Shop in Pluckemin, New Jersey, which specializes in fine furniture reproductions and custom architectural fixtures. He also teaches woodworking. For more information visit frankklausz.com.

