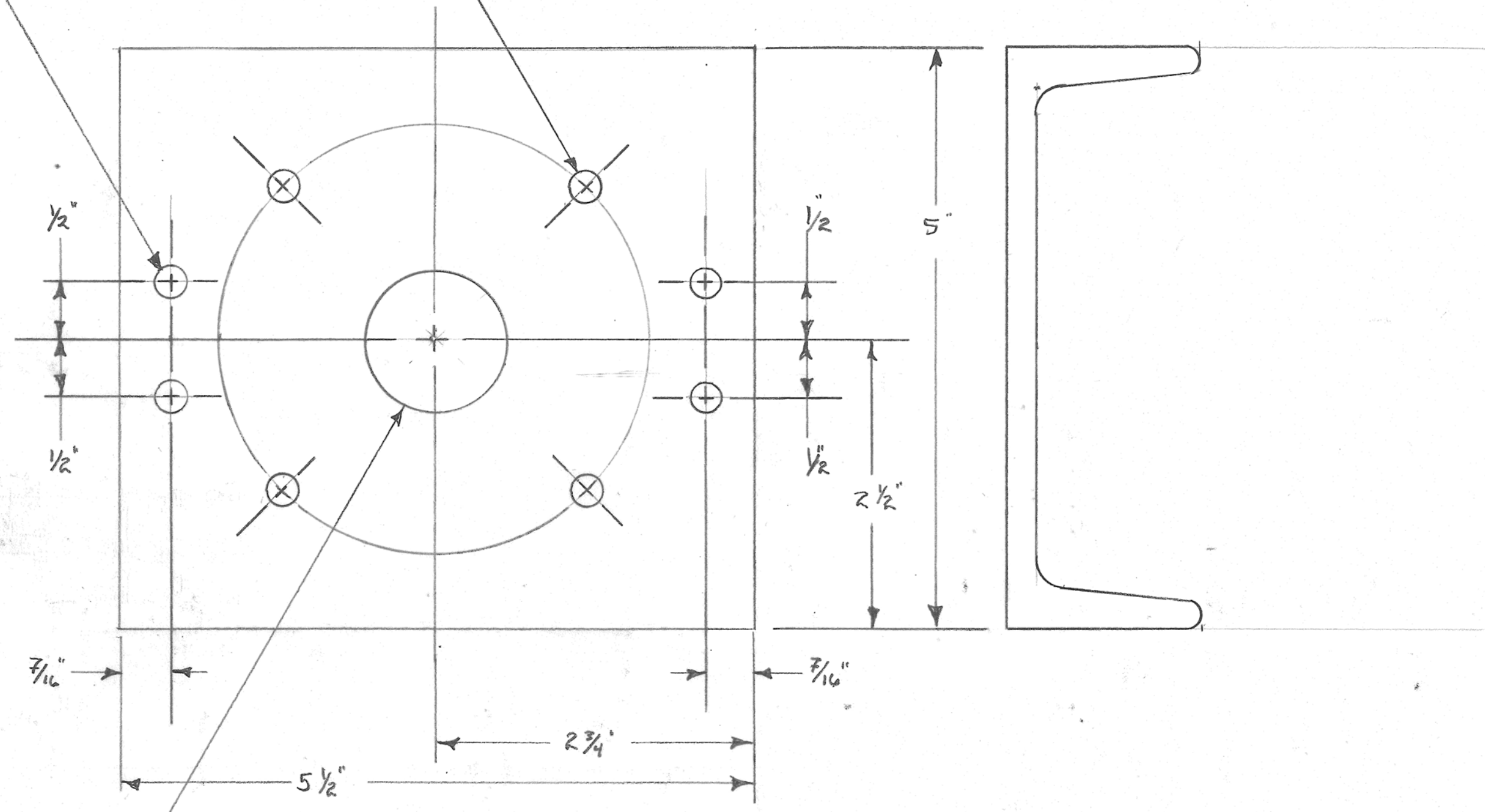


4 HOLES, $1\frac{7}{64}$ " DIA

4 HOLES, $1\frac{7}{64}$ " DIA ON $3\frac{3}{4}$ " DIA. CIRCLE



$1\frac{1}{4}$ " DIA

AIR CYLINDER MOUNTING PLATE
5" CHANNEL IRON