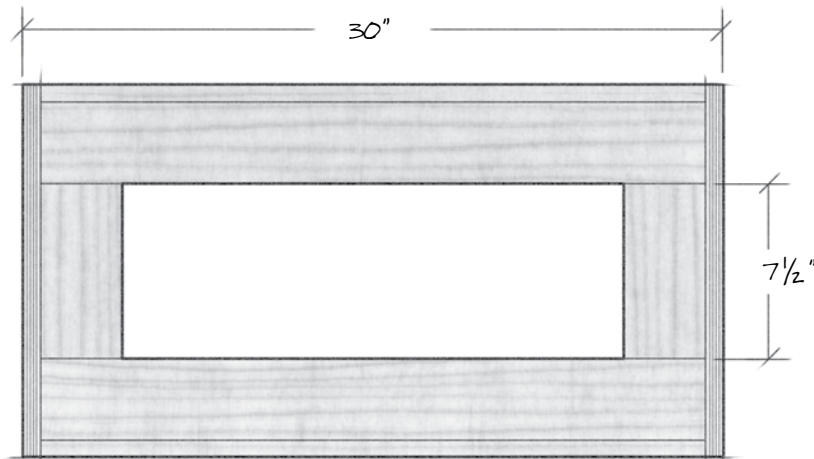
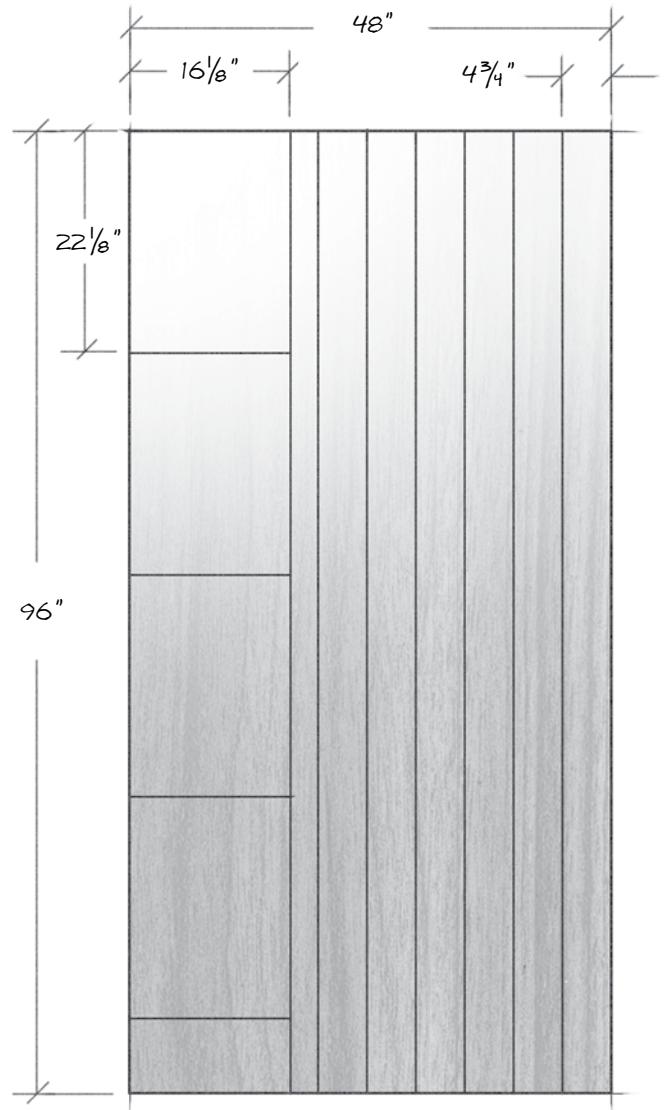
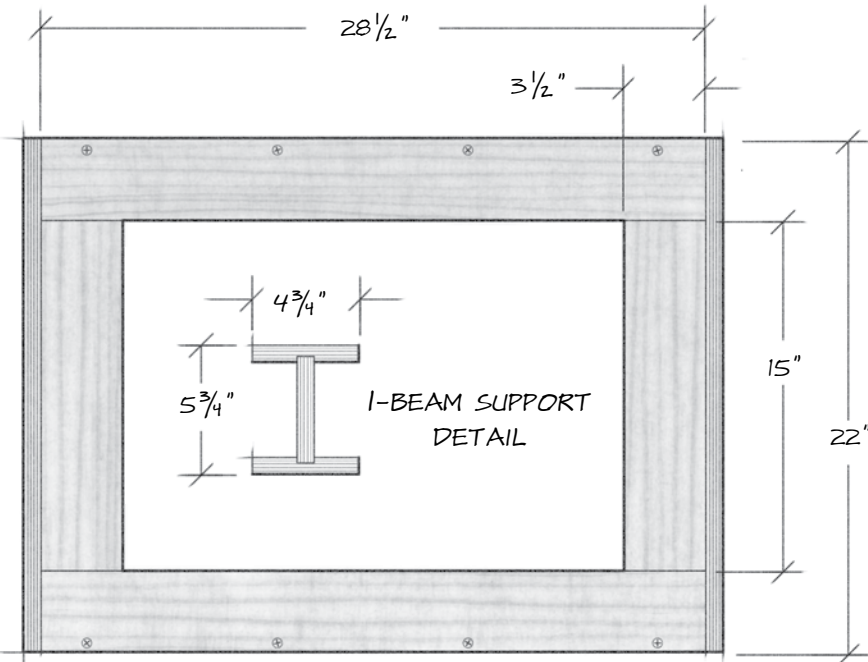


The Shop Box System

| NO. | PART | SIZES (INCHES) | | | MATERIAL | NOTES |
|----------------|--------------|----------------|--------|--------|------------|--------------------------------|
| | | T | W | L | | |
| Boxes | | | | | | |
| □ 16 | Stiles | 3/4 | 3 1/2 | 28 1/2 | Solid wood | |
| □ 8 | Short rails | 3/4 | 3 1/2 | 7 1/2 | Solid wood | |
| □ 8 | Long rails | 3/4 | 3 1/2 | 15 | Solid wood | |
| □ 4 | Frame ends | 3/4 | 16 1/8 | 22 1/8 | Plywood | Trim flush after assembly |
| I-beams | | | | | | |
| □ 6 | I-beam parts | 3/4 | 4 3/4 | 96 | Plywood | 4 pieces have 1/4"-deep groove |

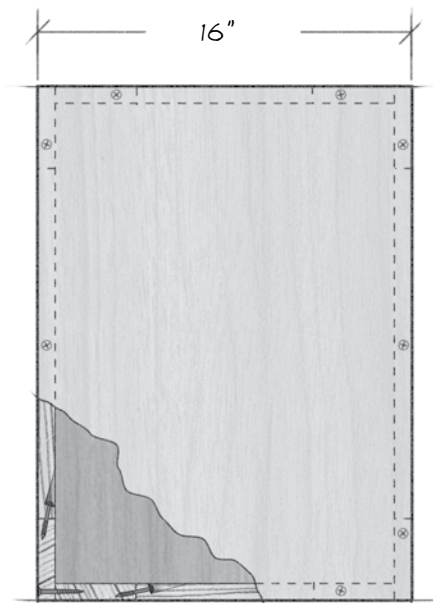


TOP VIEW



FRONT VIEW

PLYWOOD CUTTING DIAGRAM



SIDE VIEW

SHOP BOX