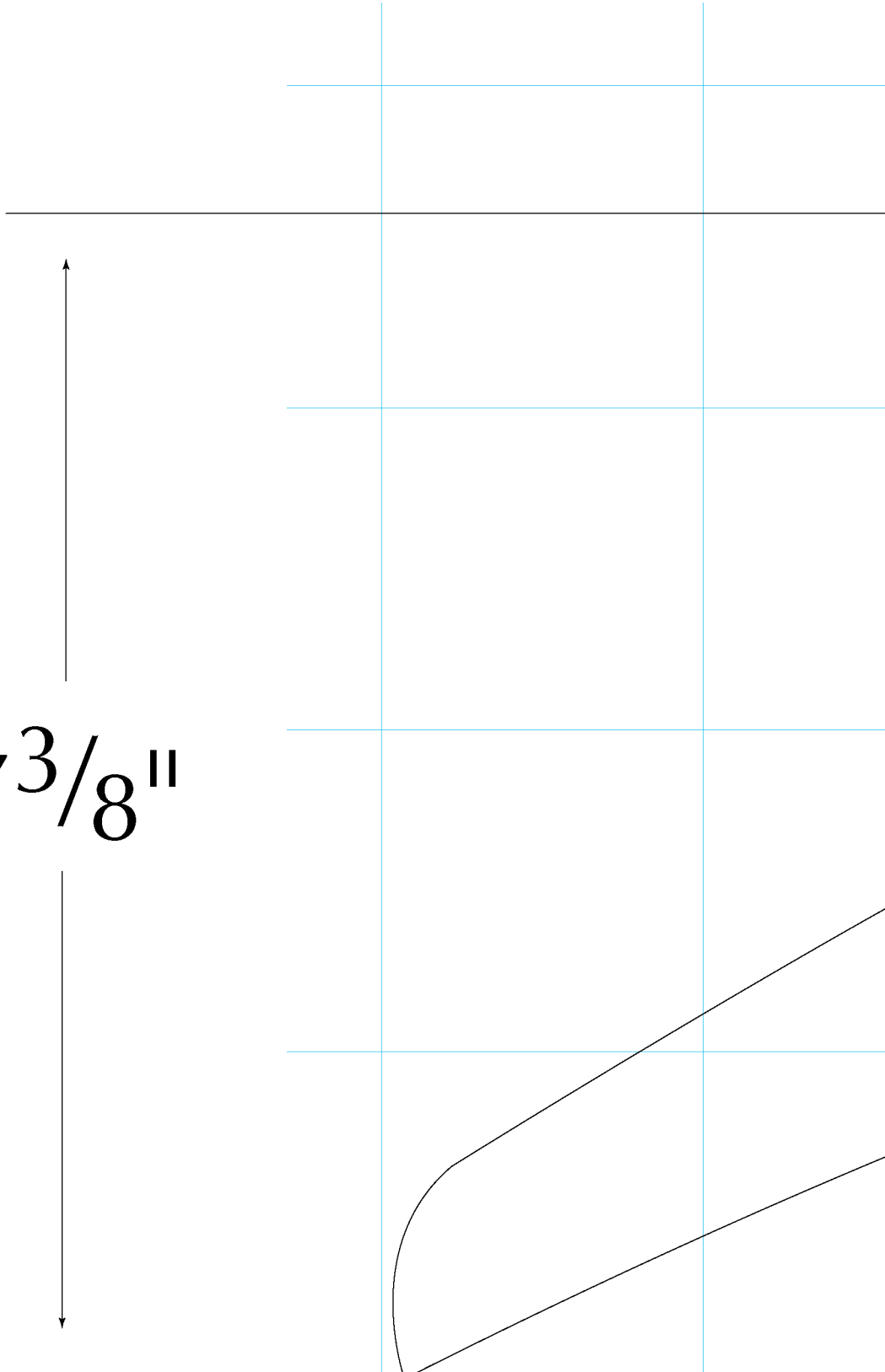
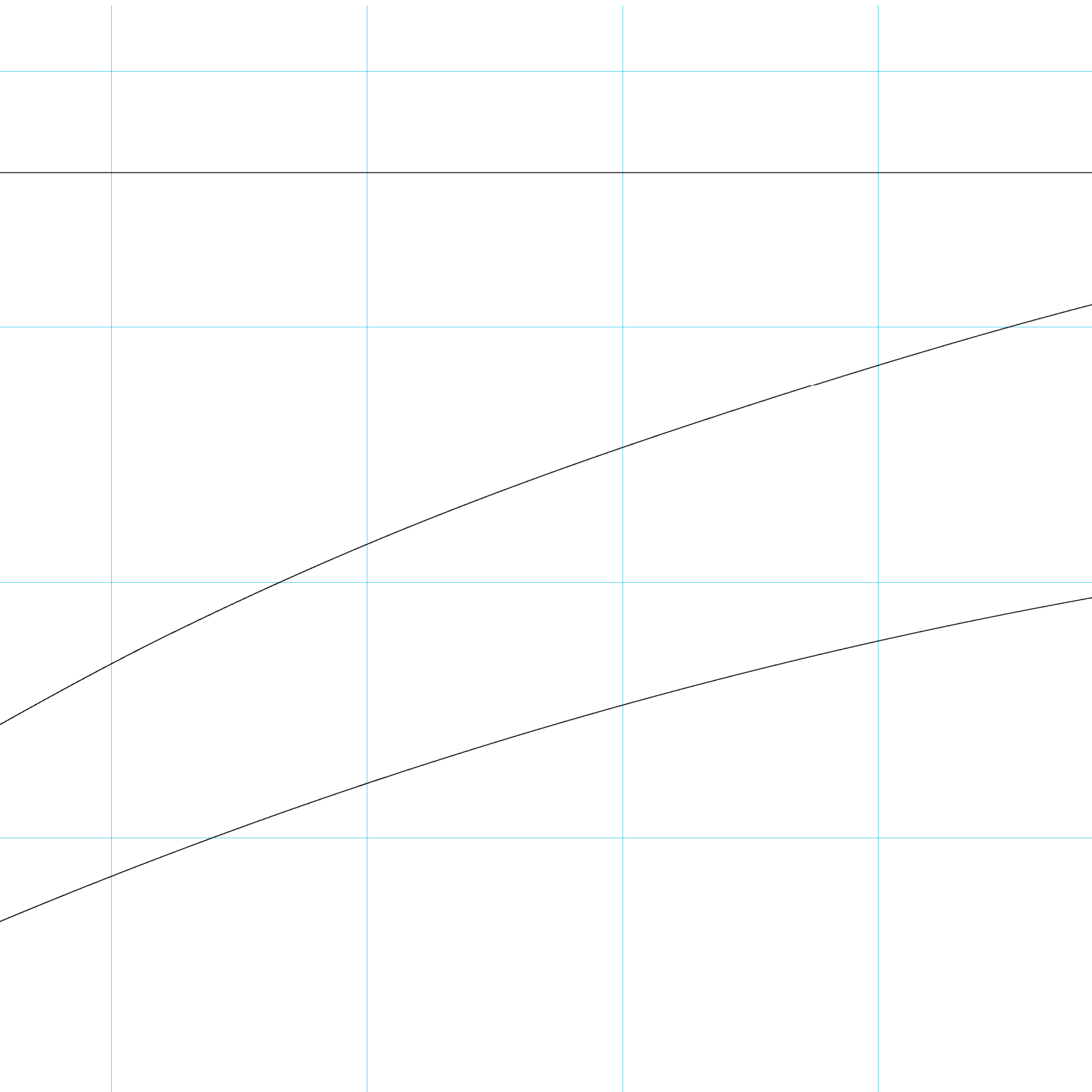
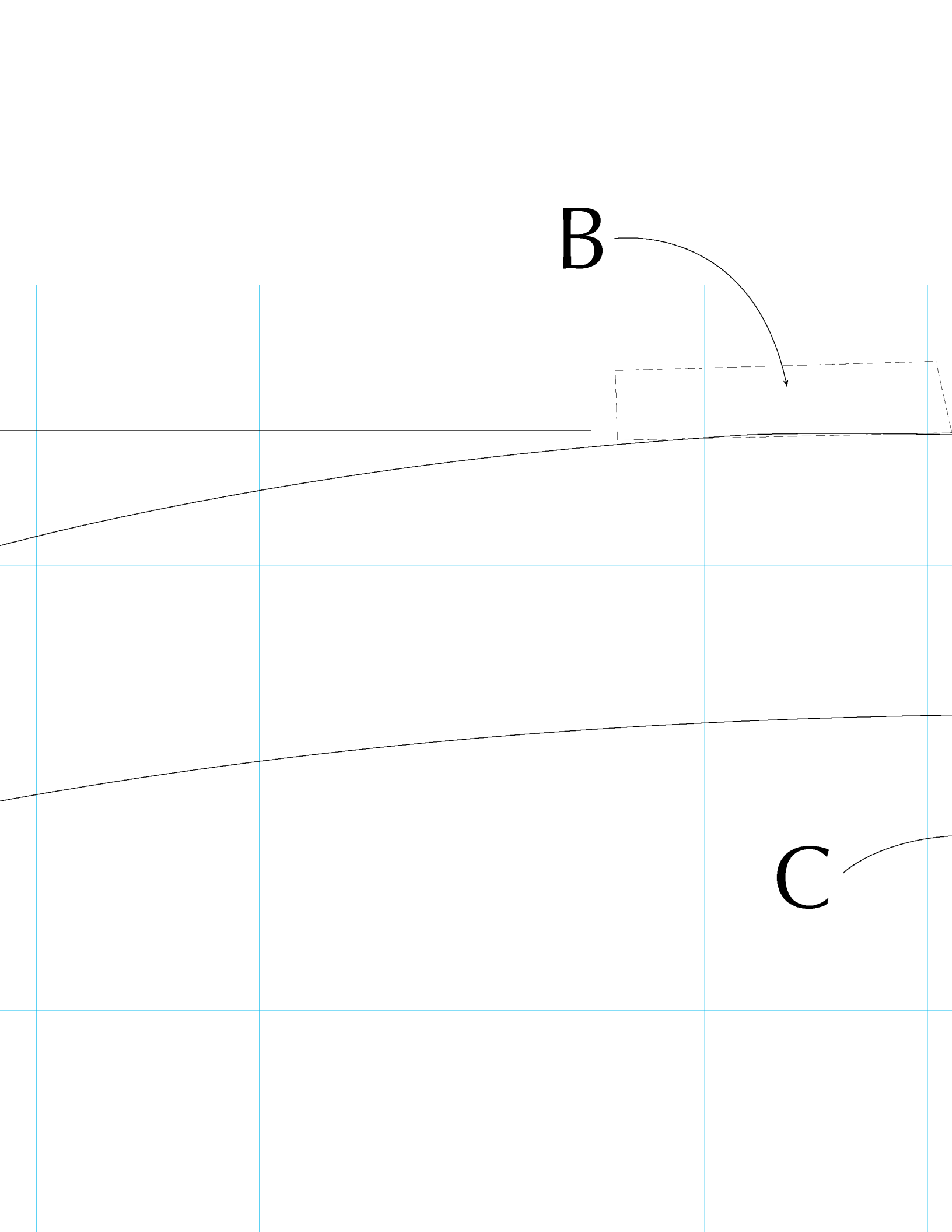




$7\frac{3}{8}''$

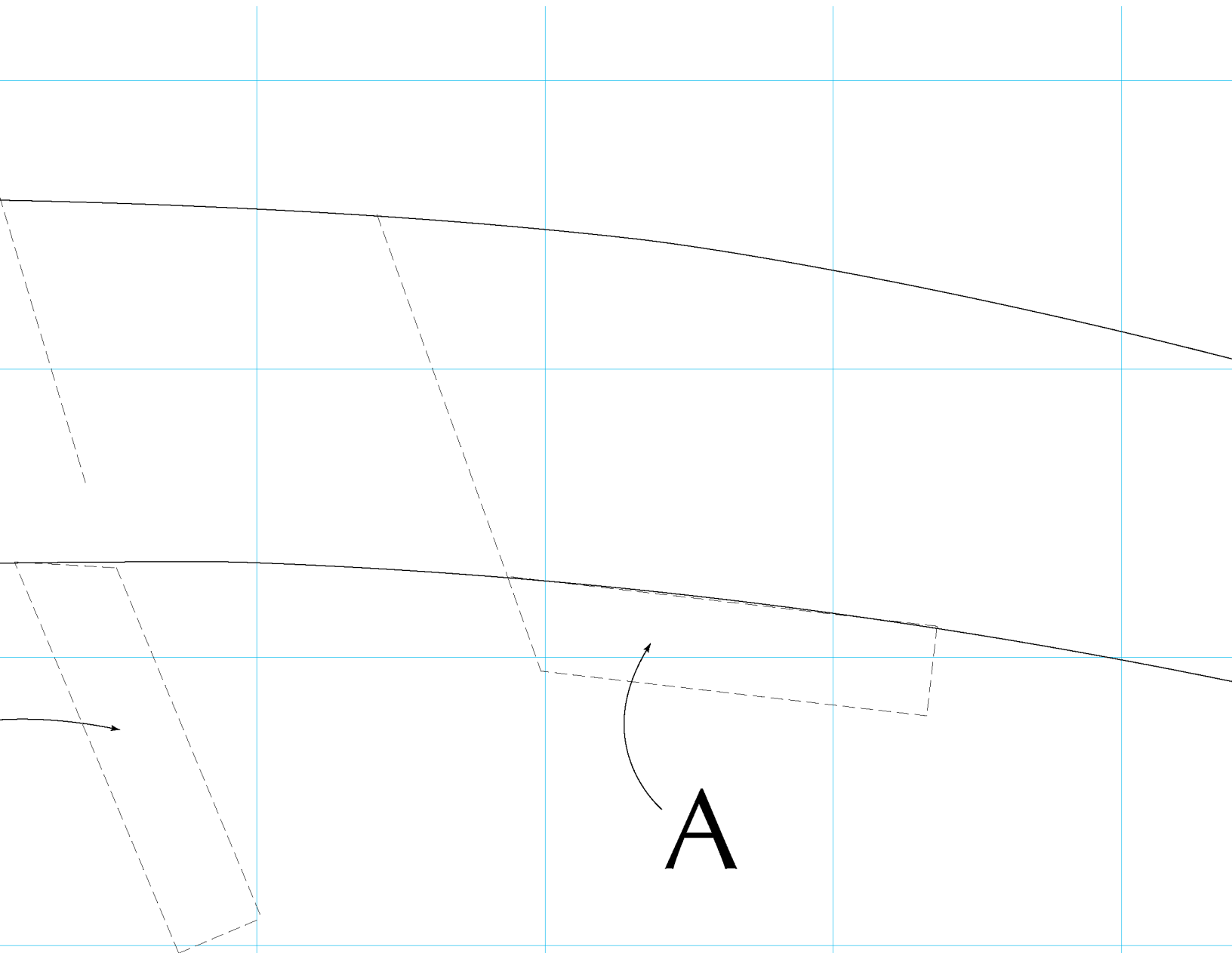


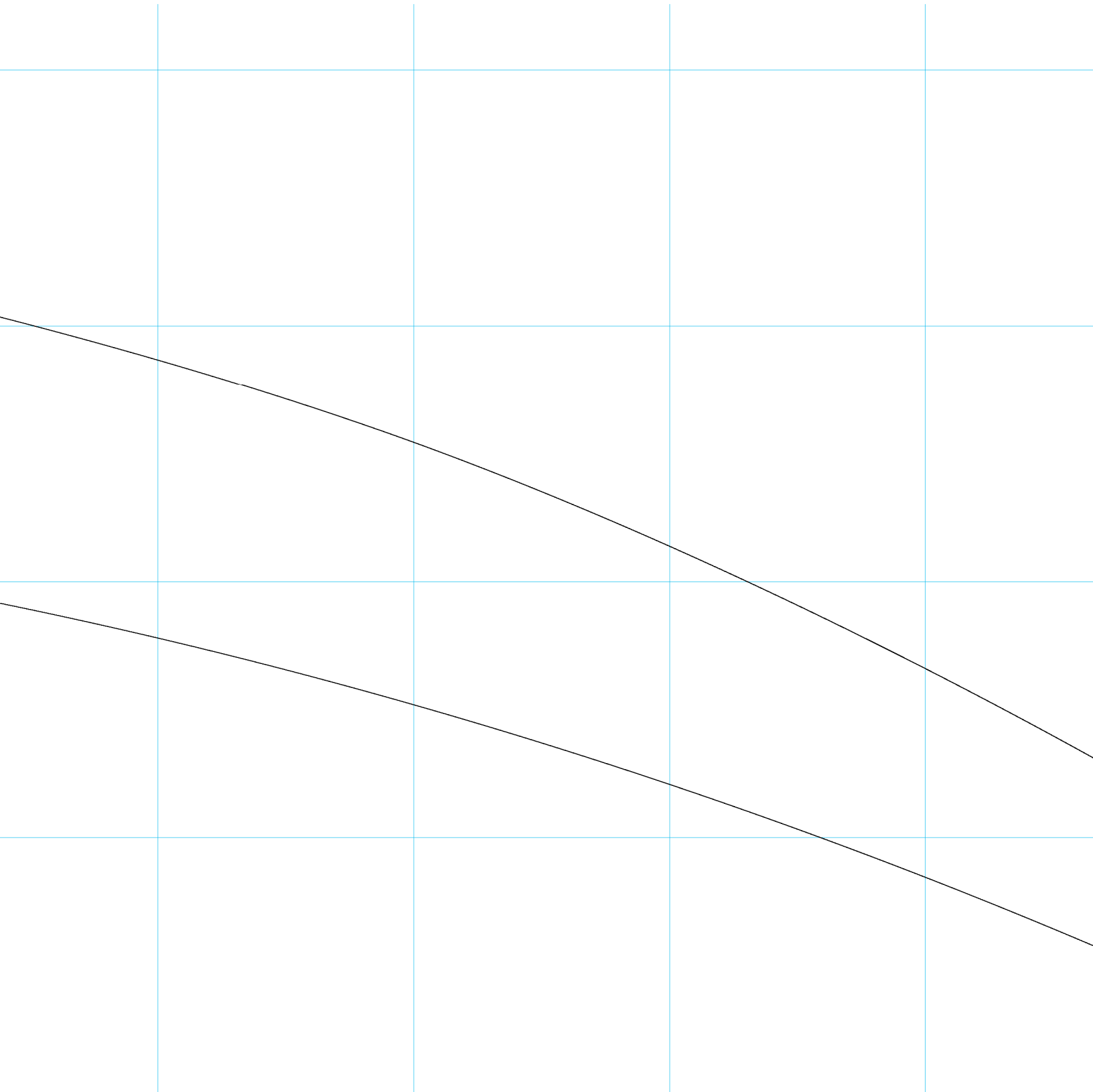


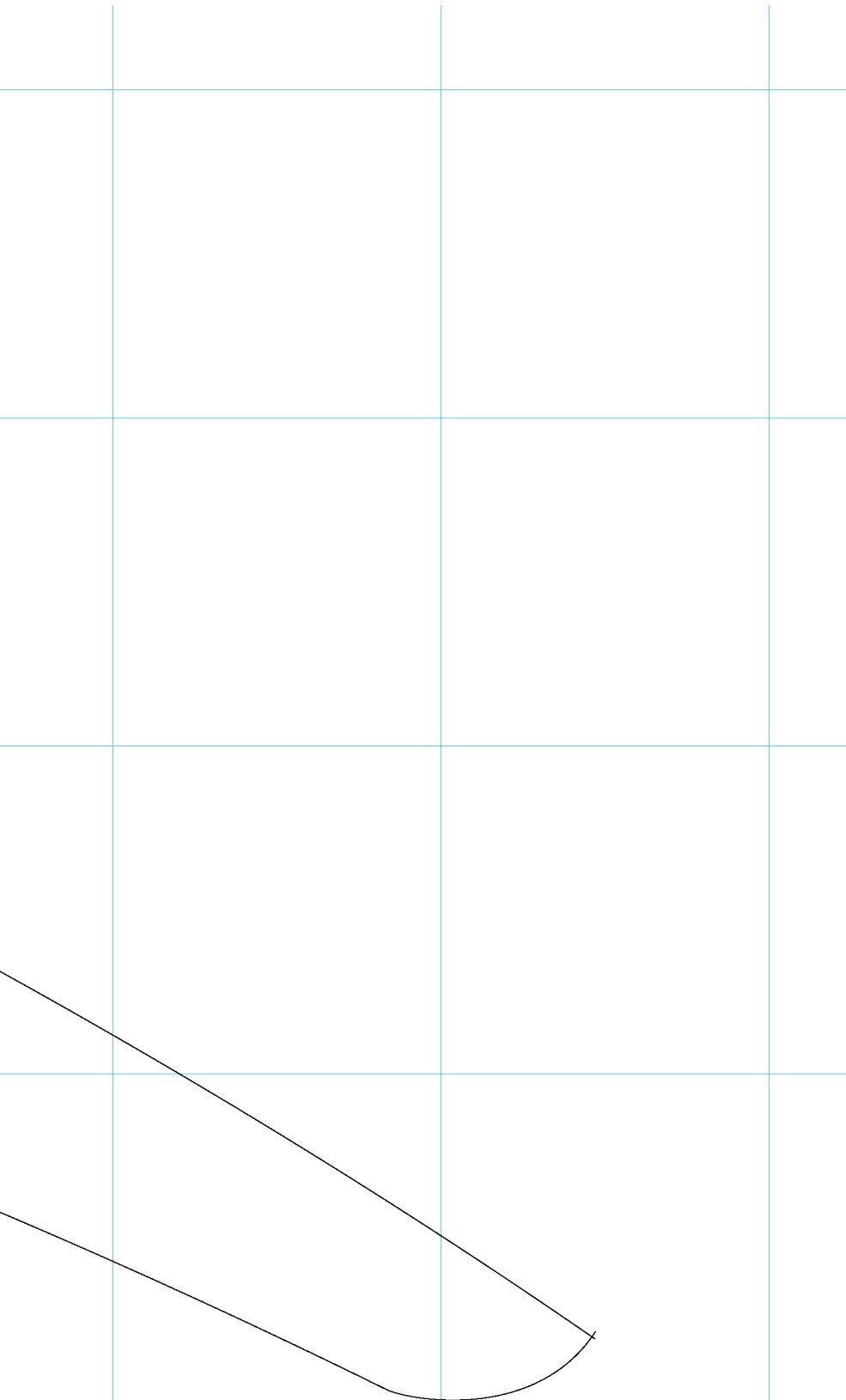


B

C

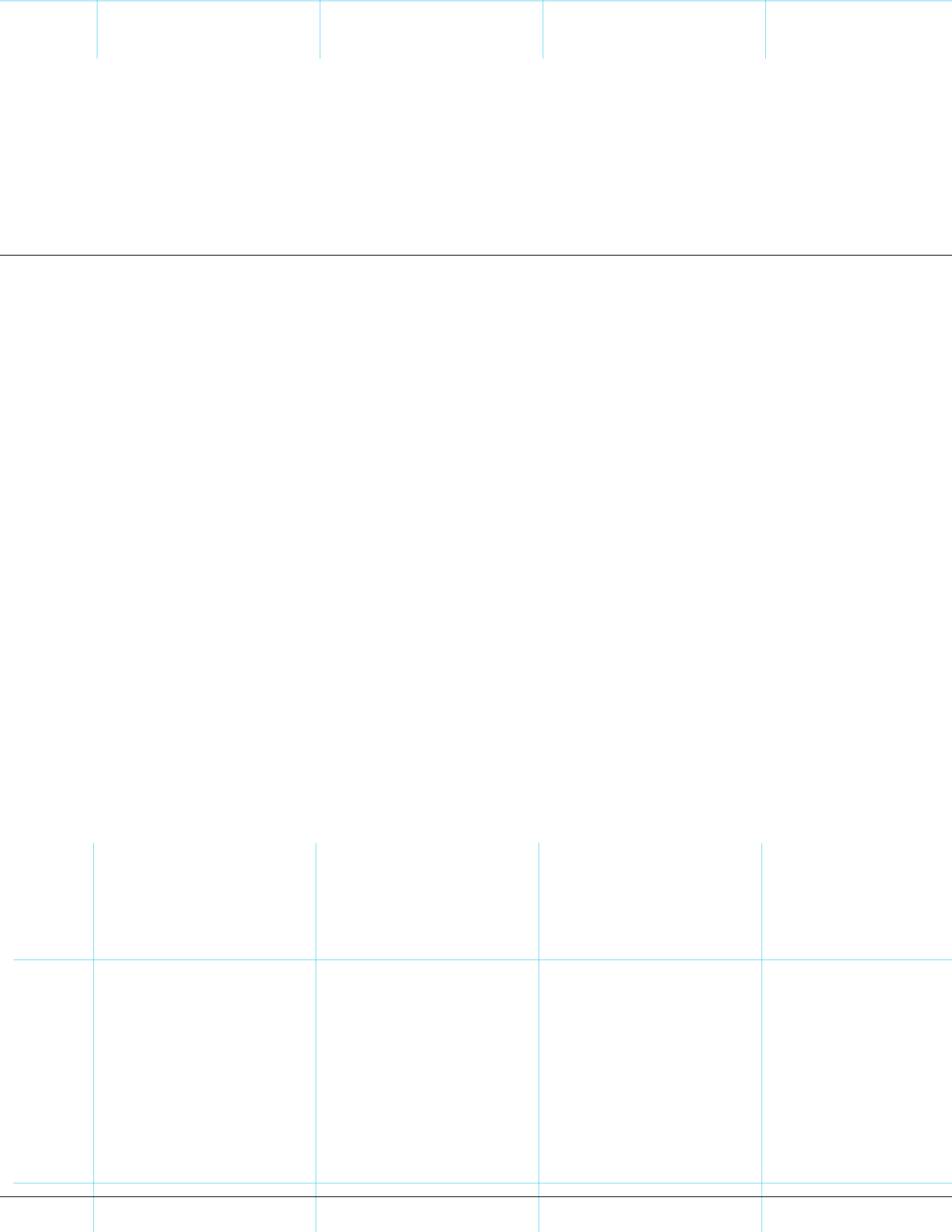




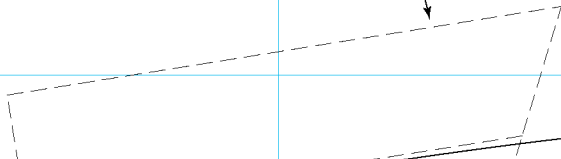
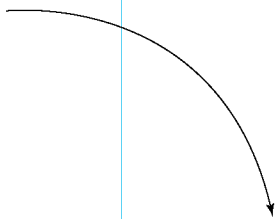


← _____

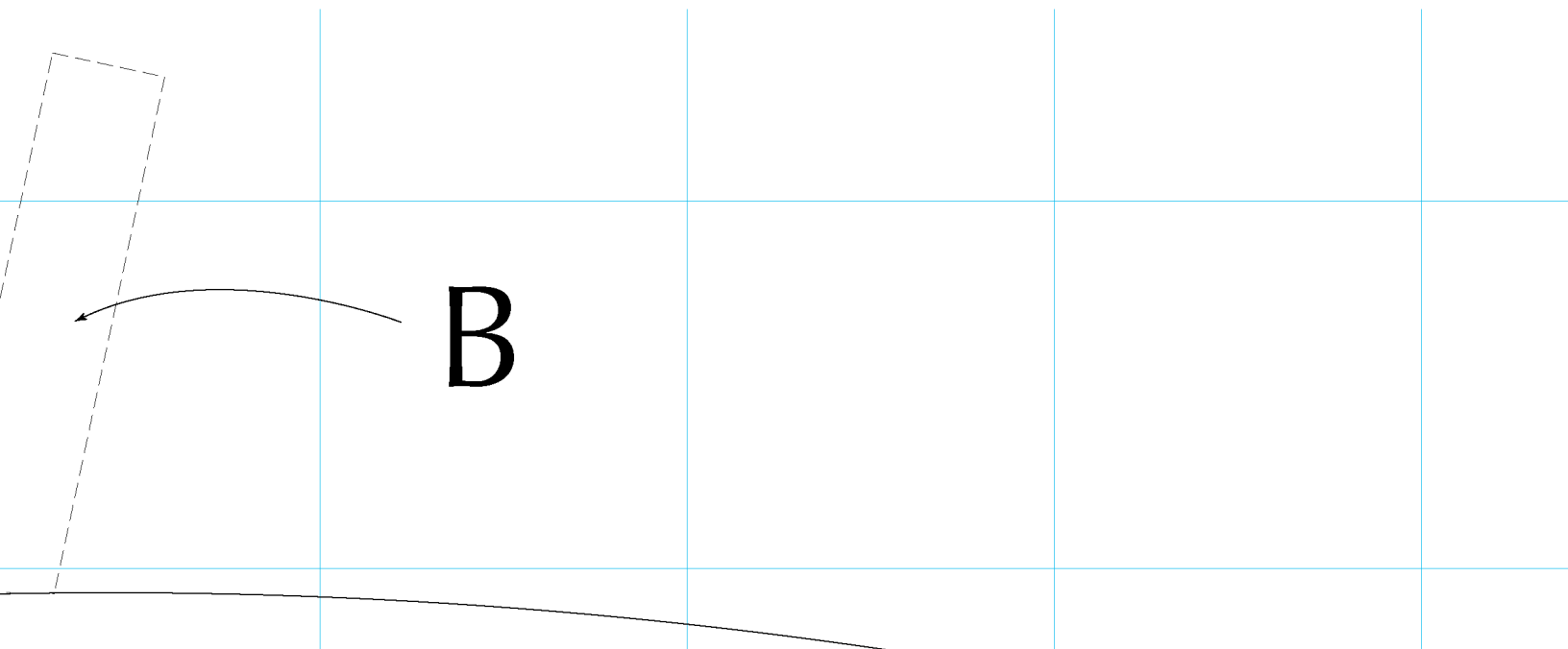
↑



C



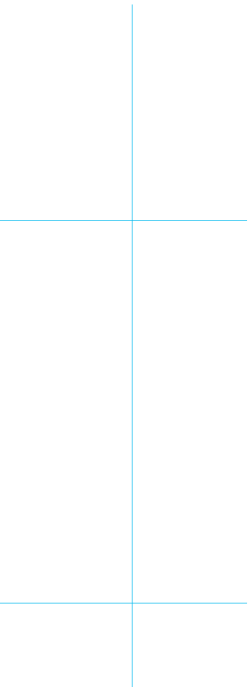
$40\frac{7}{8}''$




B

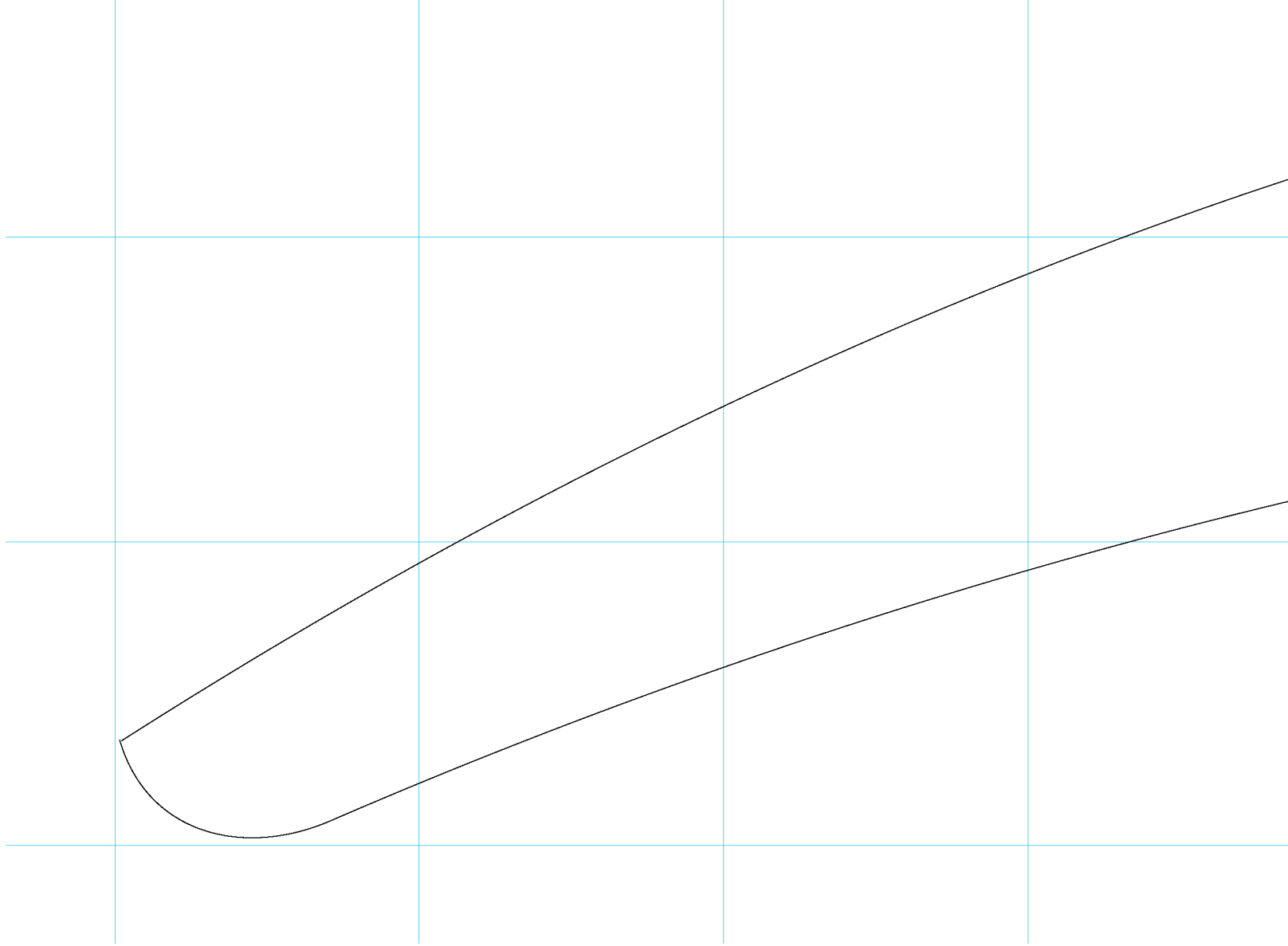
1 squ

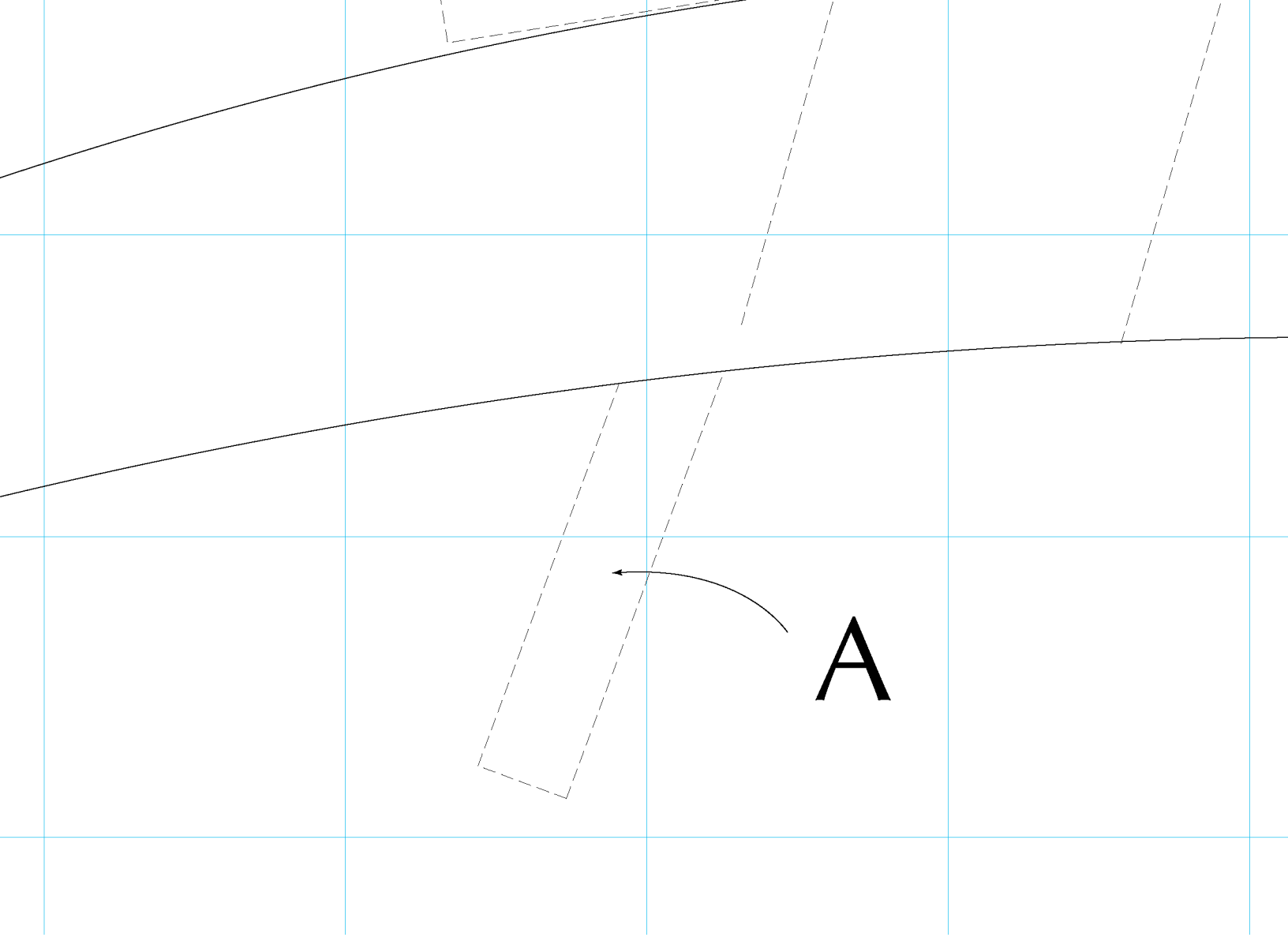
Area = 2''



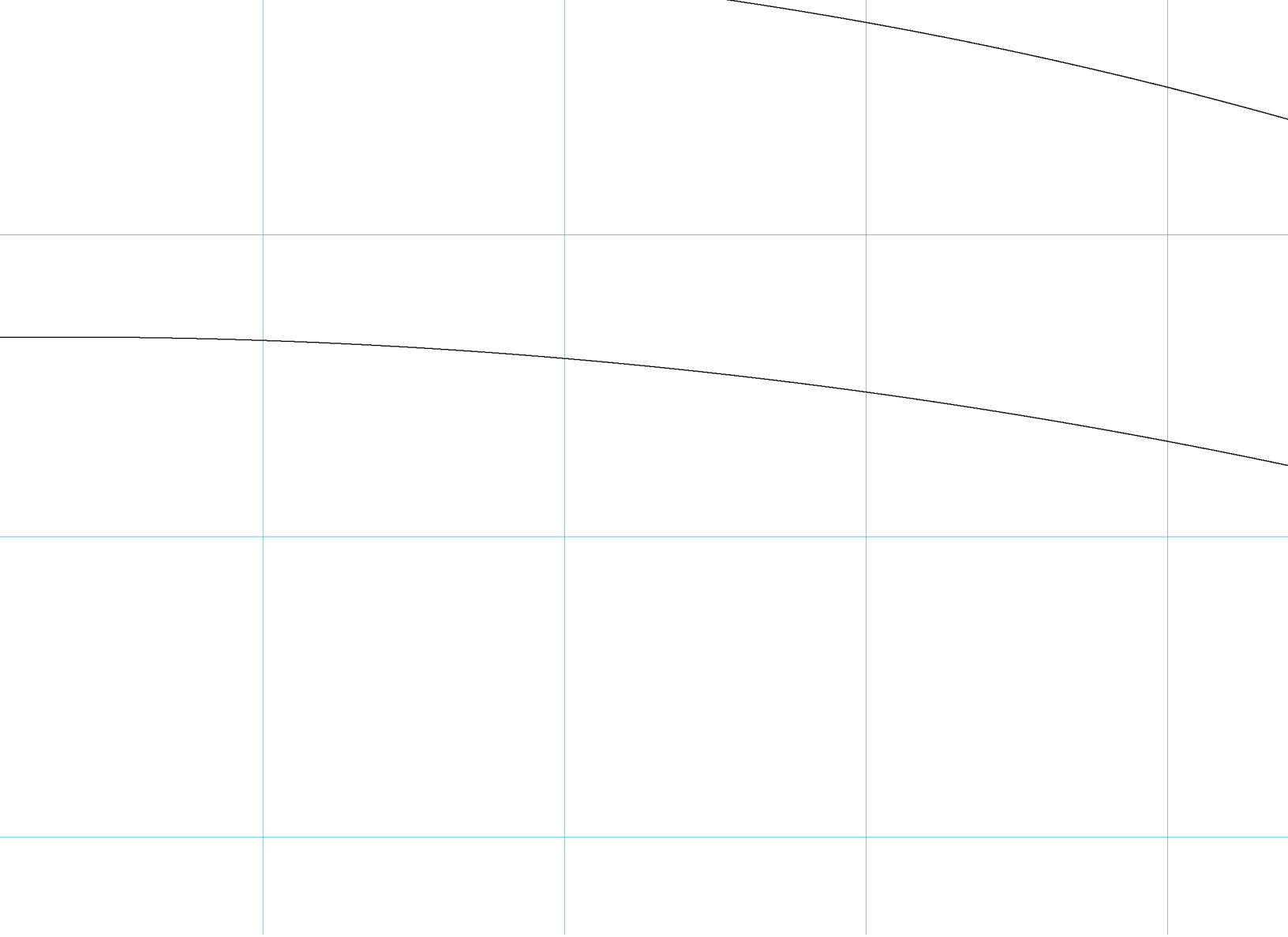
$5\frac{7}{8}''$





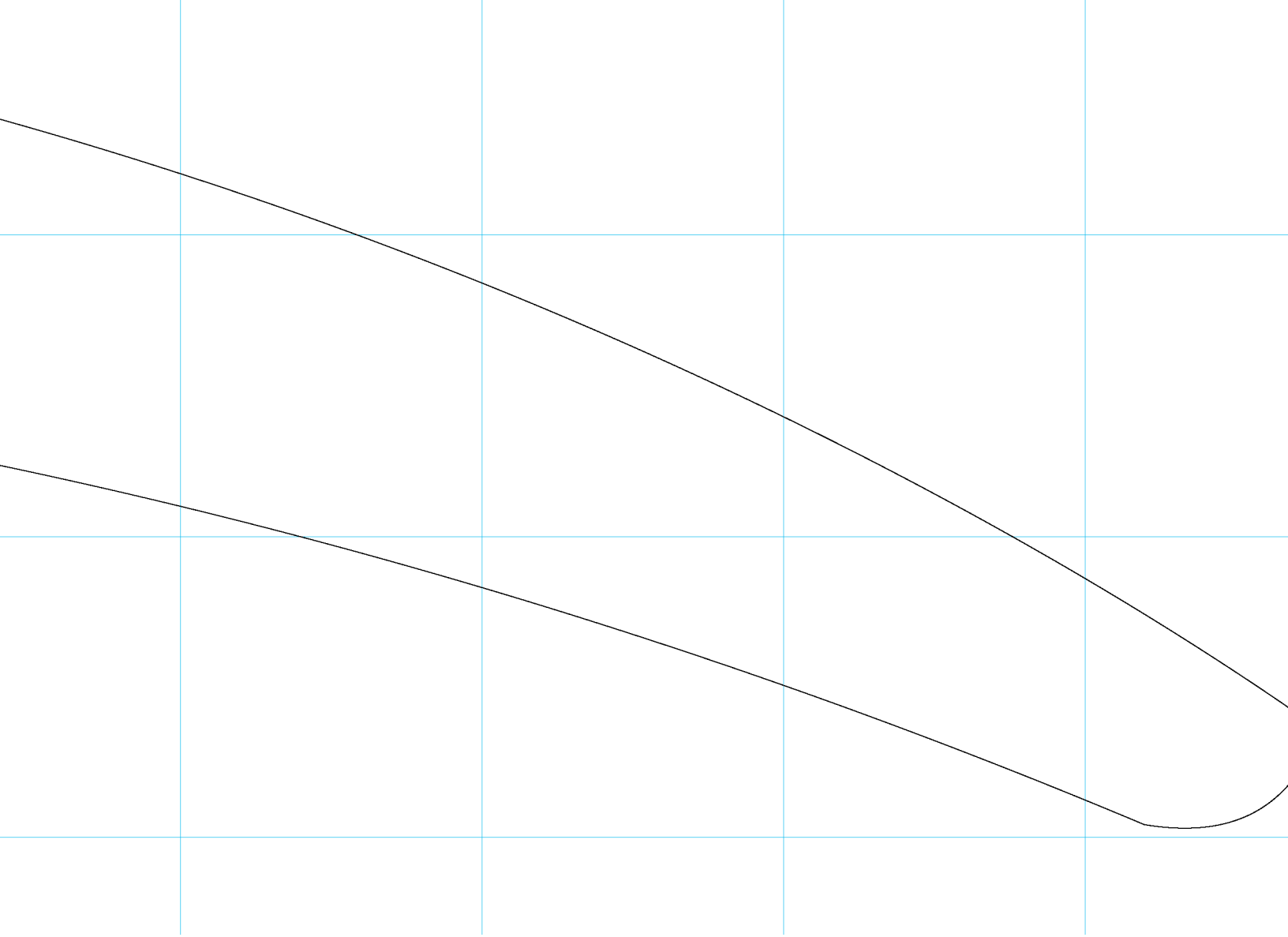


33^{1/2}



$\frac{1}{2}''$





1 square = 2''

