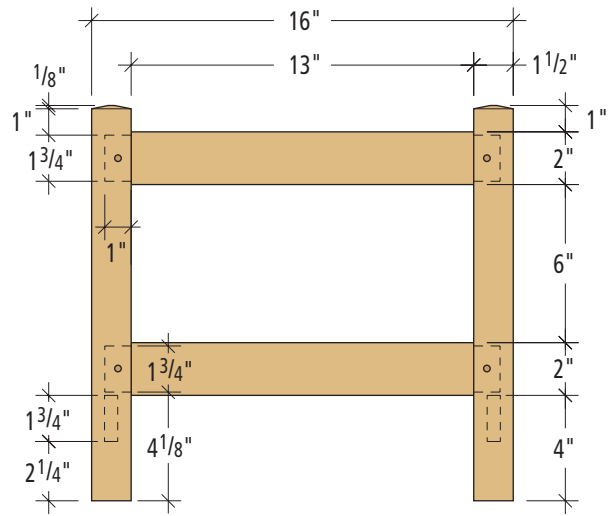
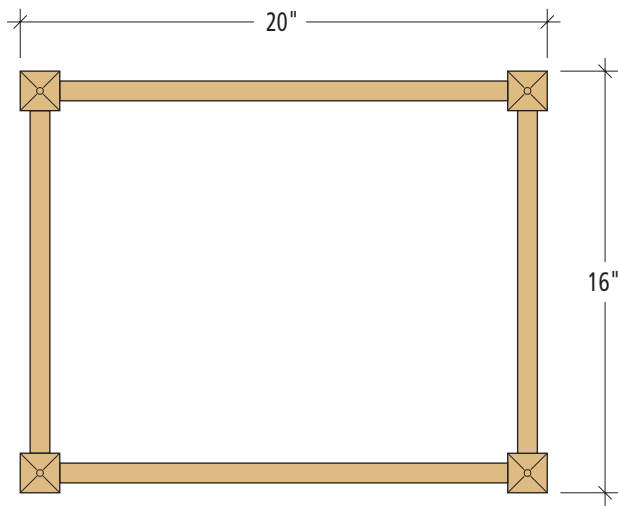


Elevation



Profile

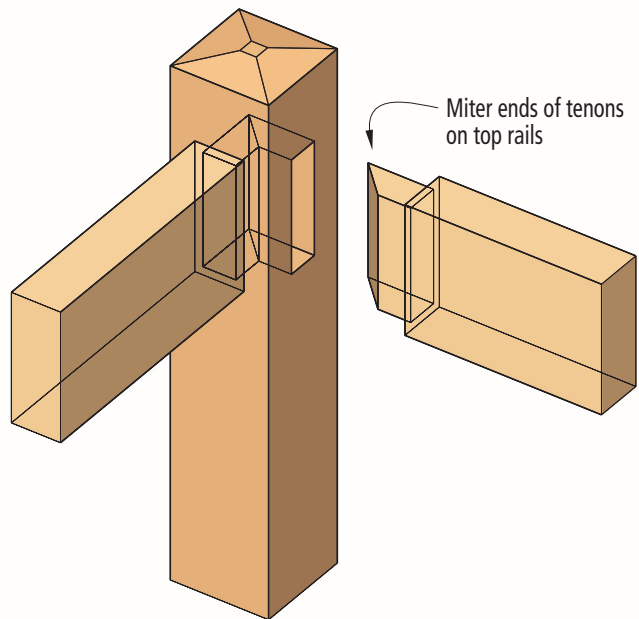


Plan

STICKLEY OTTOMAN

NO.	ITEM	DIMENSIONS (INCHES)			MATERIAL	COMMENTS
		T	W	L		
4	Legs	1 1/2	1 1/2	15	White oak	
2	Lower rails	3/4	2	19	White oak	1" TBE
2	Lower rails	3/4	2	15	White oak	1" TBE
2	Top rails	3/4	2	19	Poplar	1" TBE, mitered
2	Top rails	3/4	2	15	Poplar	1" TBE, mitered

TBE = tenons both ends



Top rails & leg joint