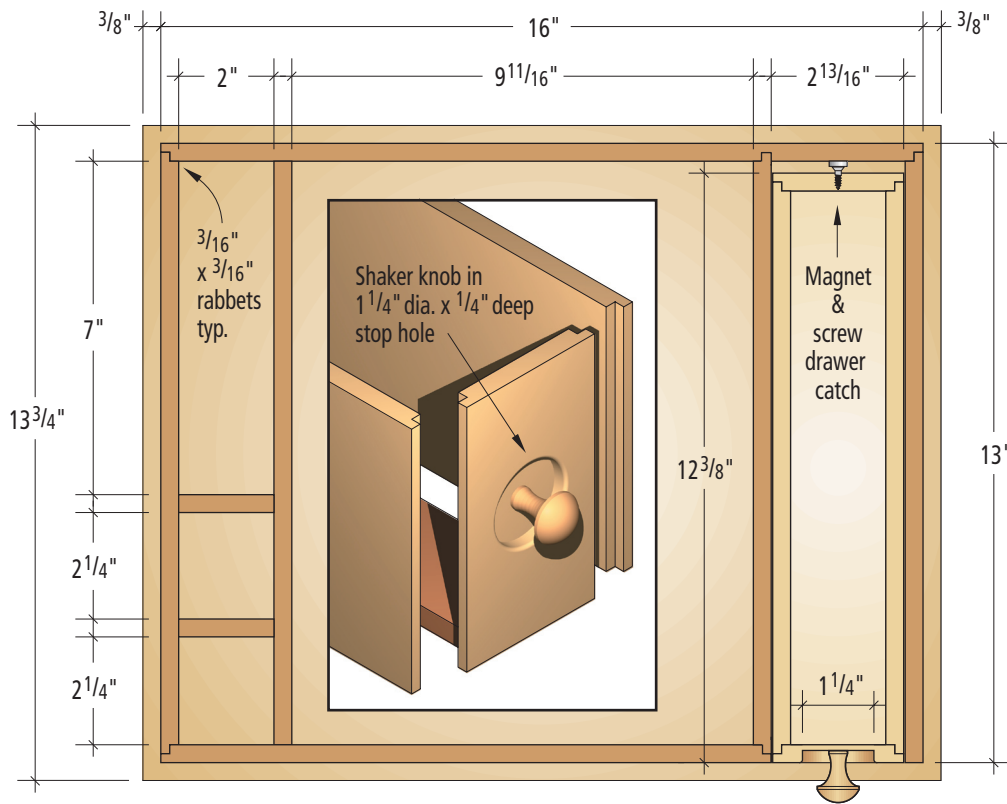
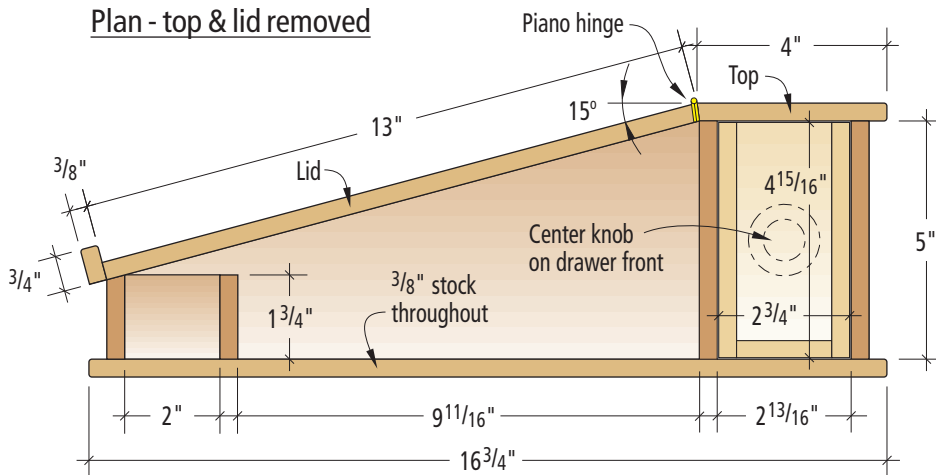


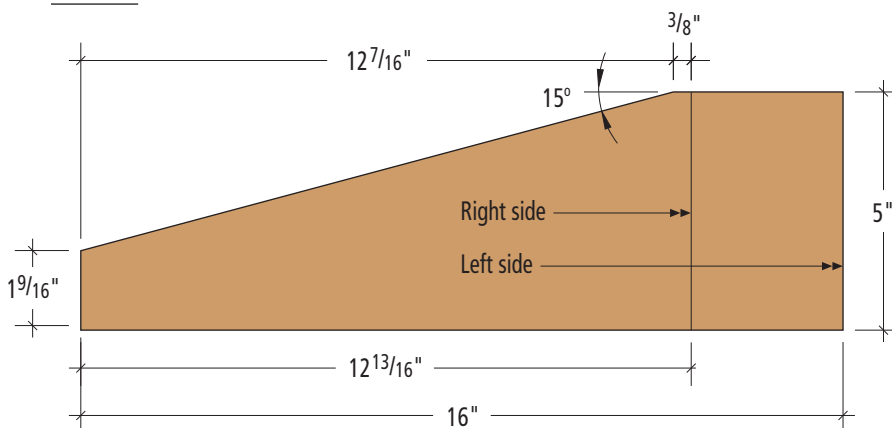
Note: Page is LEGAL size (8.5" x 14") so set your printer appropriately



Plan - top & lid removed



Section



Sides

PORTABLE WRITING DESK

NO.	ITEM	DIMENSIONS (INCHES)			COMMENTS
		T	W	L	
1	Top	3/8	4	13 3/4	
1	Lid	3/8	13	13 3/4	
1	Bottom	3/8	16 3/4	13 3/4	
1	Left side	3/8	5	16	3/16" x 3/16" rabbet both ends
1	Right side	3/8	5	12 13/16	3/16" x 3/16" rabbet both ends
1	Back	3/8	5	12 13/16	3/16" x 3/16" rabbet one end
1	Front	3/8	13/4	12 5/8	3/16" x 3/16" rabbet both ends
1	Back divider	3/8	5	12 5/8	3/16" x 3/16" rabbet both ends
1	Front divider	3/8	13/4	12 1/4	
2	Interior dividers	3/8	13/4	2	
1	Lid lip	3/8	3/4	13 3/4	
2	Drawer sides	3/8	5	12	3/16" x 3/16" rabbet both ends
2	Drawer front & back	3/8	5	2	3/16" x 3/16" rabbet both ends
1	Drawer bottom	3/8	2	11 5/8	
1	Drawer knob	3/4-dia. x 5/8 length			