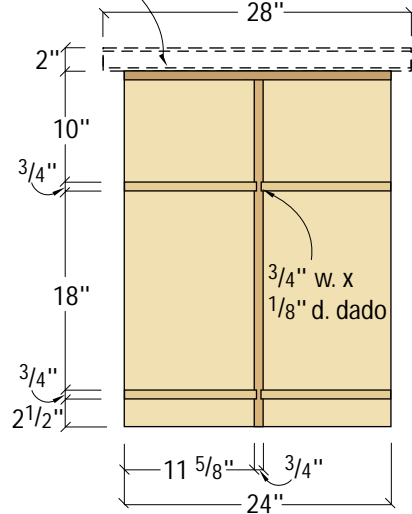
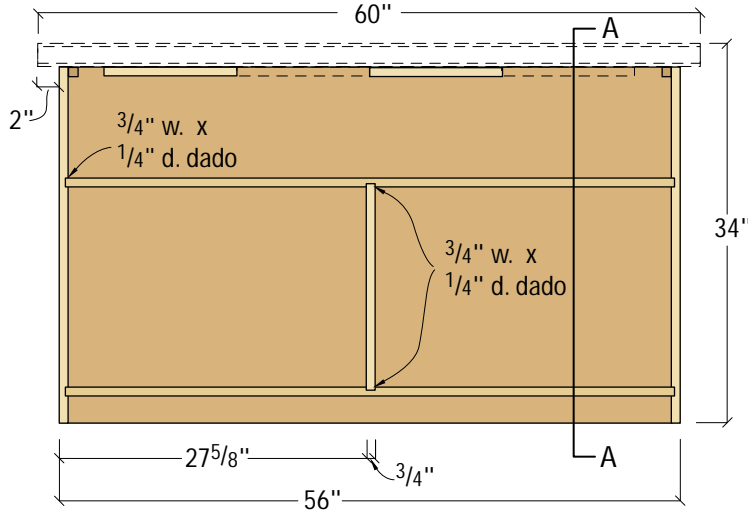


Top laminated from two sheets of 3/4" particleboard and two sheets of 1/4" hardboard

Plan



Elevation

Section A

