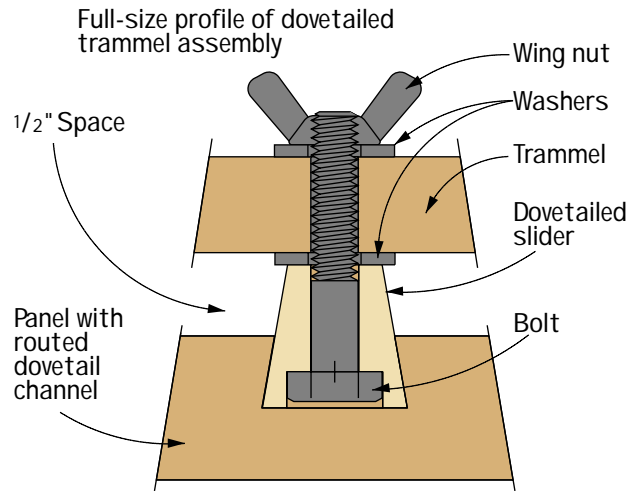
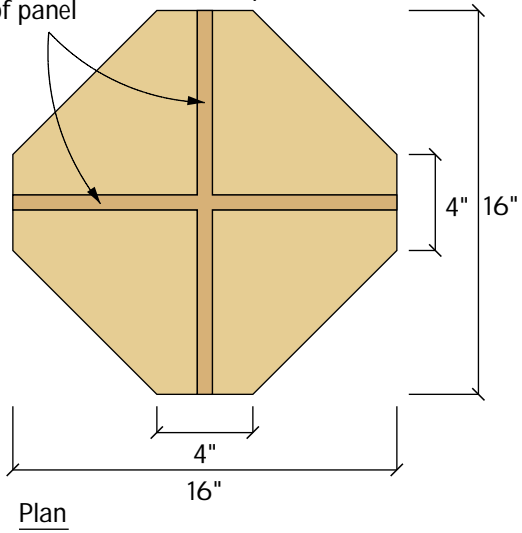


Perpendicular dovetailed channels routed into top of panel



OVAL LAYOUT JIG

NO.	ITEM	DIMENSIONS (INCHES)			MATERIAL
		T	W	L	
1	Base	$\frac{3}{4}$	16	16	MDF
2	Trammel	$\frac{1}{2}$	2	24	Maple
1	Trammel sliders	$\frac{3}{4}$	$\frac{3}{4}$	$2\frac{1}{2}$	Maple